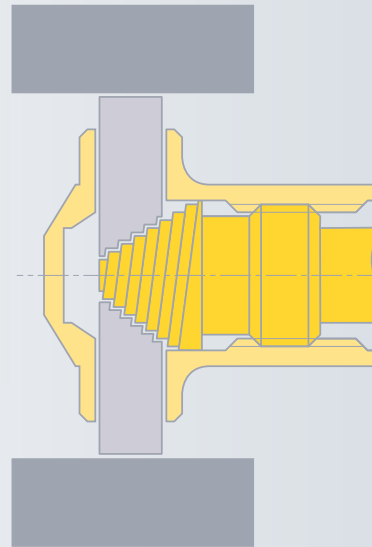
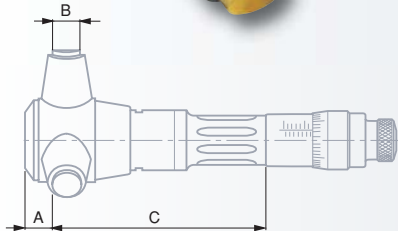


TESA IMICRO with Analogue Indication – Metric

Self-centring and self-aligning internal micrometers. Their high-precision thread machined into the measuring cone, combined with the measuring bolts specially arranged to provide 3-line contact, make them the only micrometers in the world that respect the ABBE principle. Measure depth, reliably.



DIN 863 T4
(Style C1)
NF E 11-099



Measuring faces for application
ranges from
3,5 to 12 mm:
hardened steel (HV30 770)
11 to 100 mm:
TiN hard-coating (HV5 2300)
100 to 300 mm:
carbide tipped (HV5 1300)



Application ranges from
3,5 to 200 mm
in a shipping box
200 to 300 mm in a wooden
case with 1 extension of
150 mm (No. 00842600)



Identification number
Inspection report
with a declaration
of conformity

No						A mm	B mm	C mm
	mm	mm	µm	µm				
00813410	3,5 ÷ 4	0,001	4	4		2	1,5	20
00813411	4 ÷ 4,5	0,001	4	4		2	1,5	20
00813412	4,5 ÷ 5,5	0,001	4	4		2	1,5	25
00813413	5,5 ÷ 6,5	0,001	4	4		2	1,5	25
00810001	6 ÷ 8	0,001	4	4		2,5	2,5	52
00810002	8 ÷ 10	0,001	4	4		2,5	2,5	52
00810003	10 ÷ 12	0,001	4	4		2,5	2,5	52
00810801	11 ÷ 14	0,005	4	4		3,5	4	77
00810802	14 ÷ 17	0,005	4	4		3,5	4	77
00810803	17 ÷ 20	0,005	4	4		3,5	4	77
00811501	20 ÷ 25	0,005	4	4		7	7	78
00811502	25 ÷ 30	0,005	4	4		7	7	78
00811503	30 ÷ 35	0,005	4	4		7	7	78
00811504	35 ÷ 40	0,005	4	4		7	7	78
00812301	40 ÷ 50	0,005	5	5		11	12	84
00812302	50 ÷ 60	0,005	5	5		11	12	84
00812303	60 ÷ 70	0,005	5	5		11	12	84
00812304	70 ÷ 80	0,005	5	5		11	12	84
00812305	80 ÷ 90	0,005	5	5		11	12	84
00812306	90 ÷ 100	0,005	5	5		11	12	84
00812601	100 ÷ 125	0,01	6	6		26	18	81
00812602	125 ÷ 150	0,01	6	6		26	18	81
00812603	150 ÷ 175	0,01	7	7		26	18	81
00812604	175 ÷ 200	0,01	7	7		26	18	81
00813101	200 ÷ 225	0,01	8	8		26	18	81
00813102	225 ÷ 250	0,01	8	8		26	18	81
00813103	250 ÷ 275	0,01	8	8		26	18	81
00813104	275 ÷ 300	0,01	8	8		26	18	81

TESA IMICRO with Analogue Indication – Full Metric Sets



DIN 863 T4
(Style C1)
NF E 11-099

Measuring faces
on models from
3,5 to 12 mm:
hardened steel, HV30 770;
11 to 100 mm: titanium
nitride (TiN) hard-coating
to HV5 2300.
100 to 200 mm: tungsten
carbide tipped to HV5 1300.

Additional
technical data:
see on the
previous page.
Setting rings on
page C-24.

Plastic case
or suitcase

Identification
number

Inspection report
with a declaration
of conformity

No	A	mm	No	mm	No	mm	No	mm
Full sets including			Single micrometers		Setting rings		Extensions	
00813409	BAE	3,5 ÷ 6,5	00813410	3,5 ÷ 4	00843200	4	–	
			00813411	4 ÷ 4,5	00843201	5,5		
			00813412	4,5 ÷ 5,5				
			00813413	5,5 ÷ 6,5				
00810000	BAF	6 ÷ 12	00810001	6 ÷ 8	00840101	8	00840001	100
			00810002	8 ÷ 10	00840102	10		
			00810003	10 ÷ 12				
00810800	BAG	11 ÷ 20	00810801	11 ÷ 14	00840103	11	00840301	150
			00810802	14 ÷ 17	00840105	17		
			00810803	17 ÷ 20				
00811500	BAH	20 ÷ 40	00811501	20 ÷ 25	00840106	25	00841100	150
			00811502	25 ÷ 30	00840107	35		
			00811503	30 ÷ 35				
			00811504	35 ÷ 40				
00812300	BAJ	40 ÷ 100	00812301	40 ÷ 50	00840108	50	00841800	150
			00812302	50 ÷ 60	00840109	70		
			00812303	60 ÷ 70	00840110	90		
			00812304	70 ÷ 80				
			00812305	80 ÷ 90				
			00812306	90 ÷ 100				
00812600	BAK	100 ÷ 200	00812601	100 ÷ 125	00840112	125	00842600	150
			00812602	125 ÷ 150	00840113	175		
			00812603	150 ÷ 175				
			00812604	175 ÷ 200				

TESA IMICRO with Analogue Indication – Inch



DIN 863 T4
(Style C1)
NF E 11-099



Measuring faces
on models from
0.275 to 0.500 in:

hardened steel
0.50 to 4.0 in:
titanium nitride (TiN)
hard-coating 4 to 12 in:
tungsten carbide tipped



For additional-
technical data,
see page C-6.

Setting rings on
page C-24.



Single
micrometers in
a shipping box.
Full sets in a plastic case or
suitcase



Identification
number



Inspection report
with a declaration
of conformity



B&S



in



in

00880101	0.275 ÷ 0.350	0.0001
00880102	0.350 ÷ 0.425	0.0001
00880103	0.425 ÷ 0.500	0.0001
00880401	0.500 ÷ 0.600	0.0002
00880402	0.600 ÷ 0.700	0.0002
00880403	0.700 ÷ 0.800	0.0002
00881201	0.800 ÷ 1.0	0.0002
00881202	1.0 ÷ 1.2	0.0002
00881203	1.2 ÷ 1.4	0.0002
00881204	1.4 ÷ 1.6	0.0002
00881901	1.6 ÷ 2.0	0.0002
00881902	2.0 ÷ 2.4	0.0002
00881903	2.4 ÷ 2.8	0.0002
00881904	2.8 ÷ 3.2	0.0002
00881905	3.2 ÷ 3.6	0.0002
00881906	3.6 ÷ 4.0	0.0002
00882701	4 ÷ 5	0.0005
00882702	5 ÷ 6	0.0005
00882703	6 ÷ 7	0.0005
00882704	7 ÷ 8	0.0005
00883201	8 ÷ 9	0.0005
00883202	9 ÷ 10	0.0005
00883203	10 ÷ 11	0.0005
00883204	11 ÷ 12	0.0005



TESA



in



Full sets including

00880100	BAFE	0.275 ÷ 0.500
00880400	BAGE	0.500 ÷ 0.800
00881200	BAHE	0.800 ÷ 1.6
00881900	BAJE	1.6 ÷ 4.0
00882700	BAKE	4 ÷ 8



Single tool

00880101	00880102	00880103
00880401	00880402	00880403
00881201	00881202	00881203
00881204	00881901	00881902
00881903	00881904	00881905
00881906	00882701	00882702
00882703	00882704	



Setting rings

00850101	00850102	00850103
00850105	00850106	00850107
00850108	00850109	00850110
00850112	00850113	



in



Extensions

00850001	00850301	00851100	00851800
00852600			



in