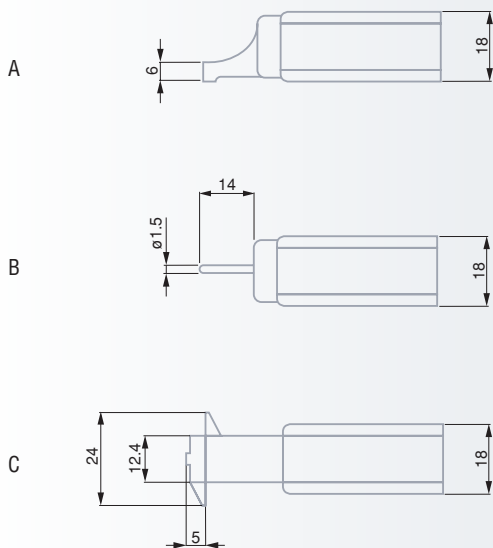
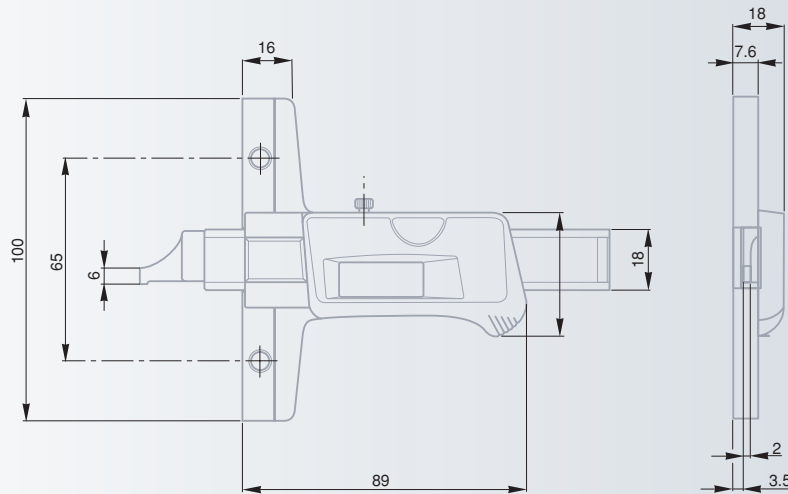


INTERAPID capa μ system

Patented measuring system – TESA capa μ system
– With removable bridge



	mm	in	
00590055	0 ÷ 200	0 ÷ 8	A
00590058	0 ÷ 300	0 ÷ 12	A
00590056	0 ÷ 200	0 ÷ 8	B
00590059	0 ÷ 300	0 ÷ 12	B
00590057	0 ÷ 200	0 ÷ 8	C
00590060	0 ÷ 300	0 ÷ 12	C

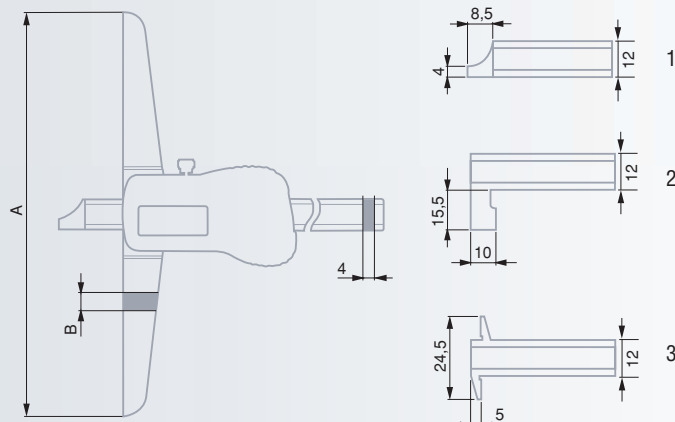
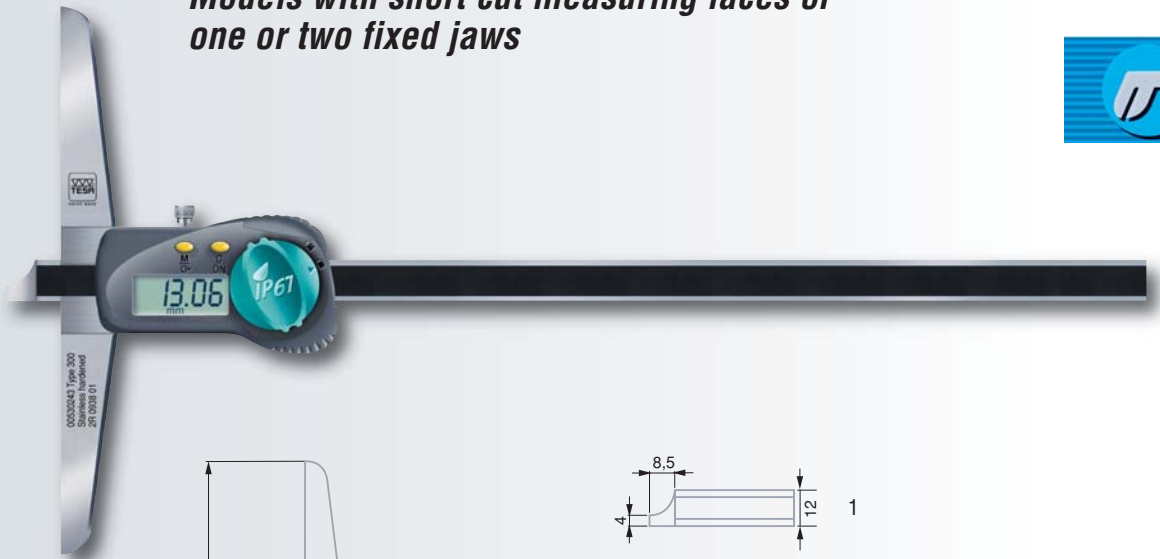
Optional Accessories

	Light alloy	mm
00560087	Removable bridge	● 180
00560088	Removable bridge	● 260
00560089	Removable bridge	● 320

- ✓
- DIN 862 (Style CZ)
- 0,01 mm / 0.0005 in
- LCD, 7 mm
- Floating zero
- mm / in conversion
- ≤ 100 mm = 20 μ m / > 100 mm = 30 μ m
- Glass scale with incremental divisions, capacitive
- $(8 \pm 1) \times 10^{-6} \text{ K}^{-1}$
- > 1,6 m / s
- Beam and slider in hard-coated light alloy combined with hardened stainless steel. Removable bridge in hardened stainless steel.
- 3 V lithium battery, CR 2032
- ≈ 2 a (≈ 2000 h / a)
- Idle mode after 10 min., automatic switch off after 2 h.
- 10°C to 40°C
- 10°C to 60°C
- 80%, non-condensing
- IP40 (IEC 60529)
- EN 50081-1 / EN 50082-1
- Suited plastic case
- Identification number
- Inspection report with a declaration of conformity

TESA IP67

Models with short cut measuring faces or one or two fixed jaws



DIN 862 (Style C-ZS)

See table

0,01 mm
0.0005 in

LCD, 7 mm

Floating zero

Display lock

mm / in conversion

See page A-2

Glass scale with incremental divisions, magnetic

> 1,8 m / s

RS 232 opto-coupled, mono- and bi-directional

Hardened stainless steel

3V lithium battery, CR 2032

≈ 1,5 a (≈ 2000 h / a)

Idle mode after 10 min., automatic switch off after 2 h.

10°C to 40°C

-10°C to 60°C

100%

IP67 (IEC 60529)

EN 50081-1
EN 50082-1

Wooden case or plastic case depending on the model

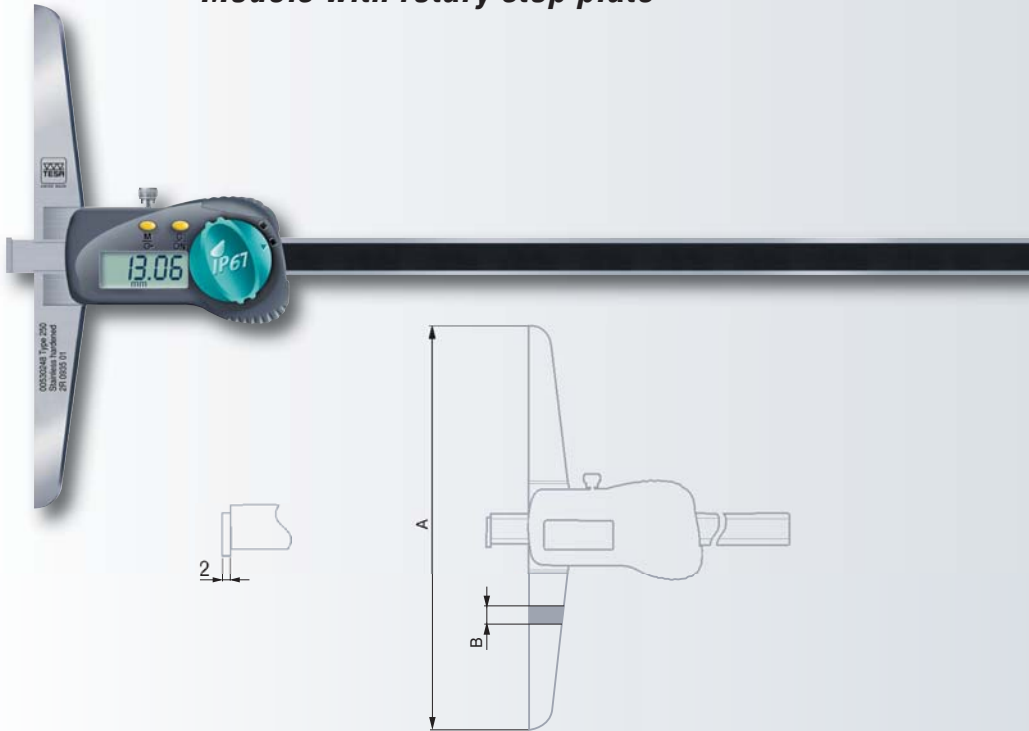
Identification number

Inspection report with a declaration of conformity

	mm	in	A mm	B mm
<i>Models 1 with a short cut measuring face</i>				
00530241	0 ÷ 200	0 ÷ 8	100	8
00530242	0 ÷ 250	0 ÷ 10	100	8
00530243	0 ÷ 300	0 ÷ 12	150	8
00530244	0 ÷ 500	0 ÷ 20	150	8
<i>Models 2 with one fixed measuring jaw</i>				
00530245	0 ÷ 300	0 ÷ 12	150	8
00530246	0 ÷ 500	0 ÷ 20	150	8
<i>Model 3 with two fixed measuring jaws</i>				
00530247	0 ÷ 300	0 ÷ 12	150	8
<i>Optional Accessories</i>				
	200, 300 or 400 mm removable bridge (see page A-22)			
01961000	3V lithium battery, 190 mAh, type CR 2032. For connecting cables, see section N.			



Models with rotary stop plate



	mm	in	A mm	B mm
00530248	0 ÷ 250	0 ÷ 10	150	8,5
00530249	0 ÷ 350	0 ÷ 14	150	8,5
00530250	0 ÷ 500	0 ÷ 20	150	8,5

Optional Accessories

	200, 300 or 400 mm removable bridge (also see page A-22)			
01961000	3V lithium battery, 190 mAh, type CR 2032. For connecting cables, see section N.			

Small-sized caliper with measuring tip



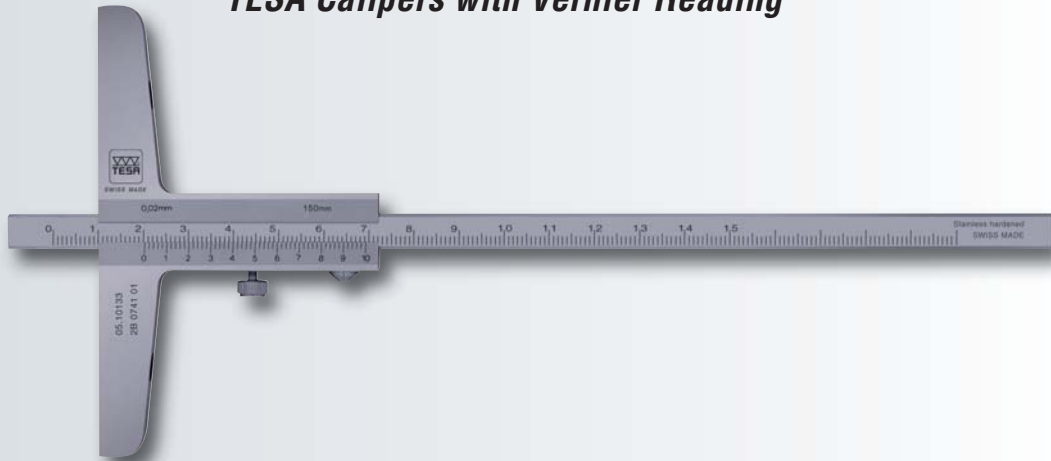
	mm	in
00530251	0 ÷ 25	0 ÷ 1

Optional Accessory

01961000	3V lithium battery, 190 mAh, type CR 2032. For connecting cables, see section N.
-----------------	---

- ✓
- DIN 862 (Style C-ZS)
- See table
- 0,01 mm
0.0005 in
- LCD, 7 mm
- Floating zero
- Display lock
- mm / in conversion
- See page A-2
- Steel scale with incremental divisions, magnetic
- > 1,8 m / s
- RS 232 opto-coupled, mono- and bi-directional
- Hardened stainless steel
- 3V lithium battery, CR 2032
- ≈ 1,5 a
(≈ 2000 h / a)
- Idle mode after 10 min, automatic switch off after 2 h.
- 10°C to 40°C
- 10°C to 60°C
- 100%
- IP67 (IEC 60529)
- EN 50081-1
EN 50082-1
- Wooden case or plastic case depending on the model
- Identification number
- Inspection report with a declaration of conformity

TESA Calipers with Vernier Reading



DIN 862
(Style C-2)
NF E 11-096

Satin-chrome
scale background;
main scale
slightly set back for
wear protection

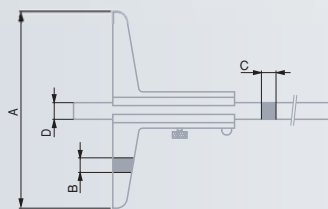
See page A-2

Hardened
stainless steel

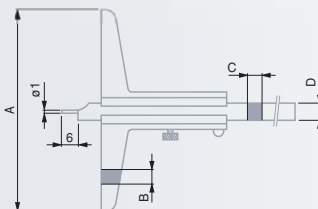
Plastic case

Identification
number

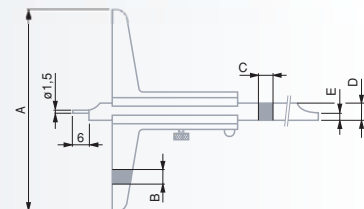
Inspection report
with a declaration
of conformity



A



B



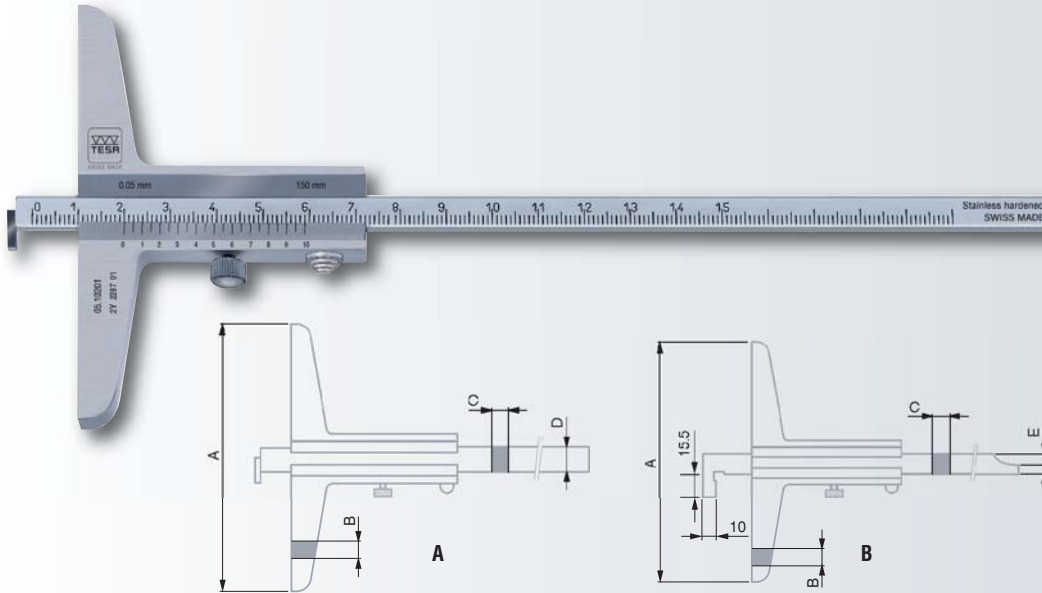
C

	mm	mm	mm				
			A	B	C	D	E
Models A with a flat measuring face							
00510133	0 ÷ 150	0,02	100	7,5	3	8	
00510134	0 ÷ 150	0,05	100	7,5	3	8	
00510143	0 ÷ 250	0,02	100	7,5	3	8	
00510144	0 ÷ 250	0,05	100	7,5	3	8	
00510163	0 ÷ 500	0,02	100	8,5	4	12	
00510164	0 ÷ 500	0,05	100	8,5	4	12	
00510173	0 ÷ 600	0,02	150	8,5	4	12	
00510174	0 ÷ 600	0,05	150	8,5	4	12	
Models B with a steel tip							
00510111*	0 ÷ 80	0,02	50	7,5	3	8	
00510112*	0 ÷ 80	0,05	50	7,5	3	8	
Models C with both a short cut measuring face and steel tip. Convertible models.							
00510123	0 ÷ 150	0,02	100	7,5	3	8	3,5
00510124	0 ÷ 150	0,05	100	7,5	3	8	3,5
00510125	0 ÷ 250	0,02	100	7,5	3	8	4
00510126	0 ÷ 250	0,05	100	7,5	3	8	4

Optional Accessories

0051610365 Magnetic magnifying glass, 3x magnification.
200, 300 or 400 mm removable bridge (see page A-22).

* The removable bridge available as an option is not convenient for these models.



DIN 862
(Style C-2)
NF E 11-096

Satin-chrome
scale background;
main scale
slightly set back for
wear protection

See page A-2

Hardened
stainless steel

Plastic case

Identification
number

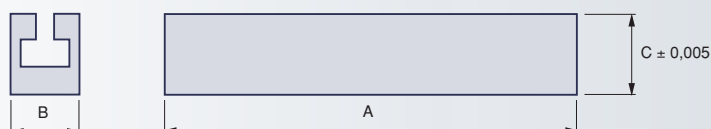
Inspection report
with a declaration
of conformity

	mm	mm	mm				
			A	B	C	D	E
Models A with rotary stop plate							
00510202	0 ÷ 150	0,02	130	8,5	4	12	
00510201	0 ÷ 150	0,05	130	8,5	4	12	
00510212	0 ÷ 250	0,02	130	8,5	4	12	
00510211	0 ÷ 250	0,05	130	8,5	4	12	
00510222	0 ÷ 500	0,02	130	8,5	4	12	
00510221	0 ÷ 500	0,05	130	8,5	4	12	
Models B with both a fixed stop plate and short cut measuring face. Convertible models.							
00510175	0 ÷ 150	0,02	100	7,5	3	8	3,5
00510176	0 ÷ 150	0,05	100	7,5	3	8	3,5
00510177	0 ÷ 250	0,02	130	8,5	4	12	4
00510178	0 ÷ 250	0,05	130	8,5	4	12	4
00510179	0 ÷ 300	0,02	150	8,5	4	12	4
00510180	0 ÷ 300	0,05	150	8,5	4	12	4
00510181	0 ÷ 500	0,02	150	8,5	4	12	4
00510182	0 ÷ 500	0,05	150	8,5	4	12	4
Optional Accessories							
0051610365	Magnetic magnifying glass, 3x magnification. 200, 300 or 400 mm removable bridge (see table below).						

Removable Bridge

		A mm	B mm	C mm	mm
00560103	Removable bridge	200	8	10	± 0,005
00560104	Removable bridge	300	8	16	± 0,005
00560105	Removable bridge	400	8	16	± 0,005

Each bridge comes with suited attachment.



Factory
standard

See table

Suited
carrying case

Identification
number

Inspection report
with a declaration
of conformity